

Window Display Signage - FSHD550, 55inch  
- FSHD490, 49inch  
- FSHD430, 43inch

## Outstanding Visiblity with Quiet Operation

### HD series

Easily installed in store windows, Fengshi's HD series of window facing digital signage captivates customers with its vivid image quality and quiet operation.

The HD series helps businesses enhance their brand image while enriching the customers' shopping experience.



# Outstanding Visibility with Quiet Operation

## HD series

### Outstanding Visibility



#### High Brightness

With a great brightness of 2,500 cd/m<sup>2</sup>, HD series clearly delivers contents and attracts public attention, which is the ultimate display for outdoor visibility.



### User Convenience



#### Smart Brightness Control

The auto brightness sensor adjust backlight brightness according to the ambient brightness to save power energy and protect the human eye.

Bright



Dark



Auto Brightness

# Outstanding Visibility with Quiet Operation

## HD series

### Quiet Operation

#### Fan cooling Design

By the built-in cooling fans, we have made the HD series an ideal choice for the in-window environment. Its operating noise level is under 25dB, which is quieter than that of typical daily conversation.

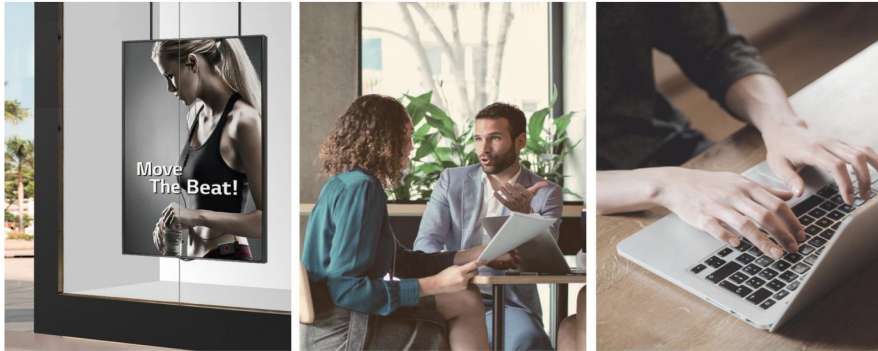
HD Series  
(Under 25dB)



Conversation  
(50dB)



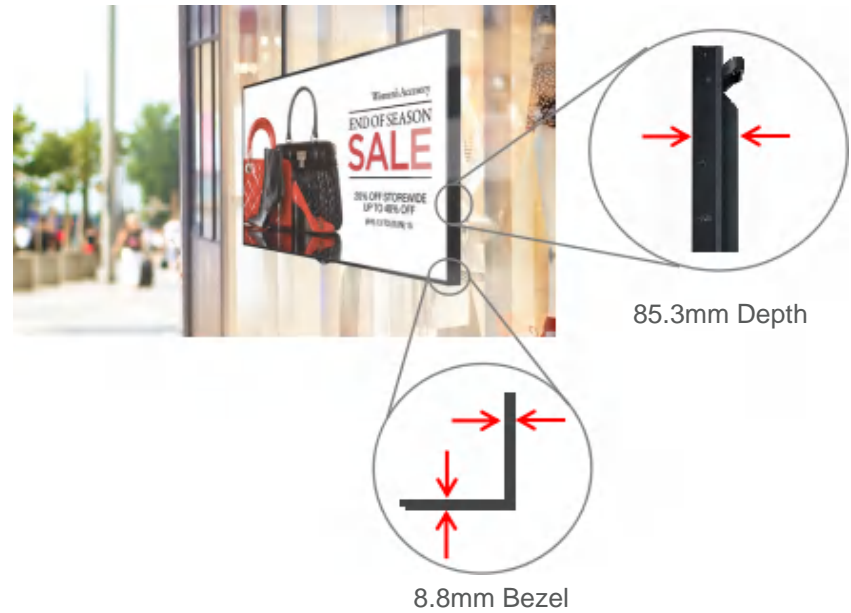
Typing  
(78dB)



### Space Efficiency

#### Slim Design

Thanks to its thin depth, this series takes up minimal space, which leads to space efficiency in an in-window environment.





## Feature



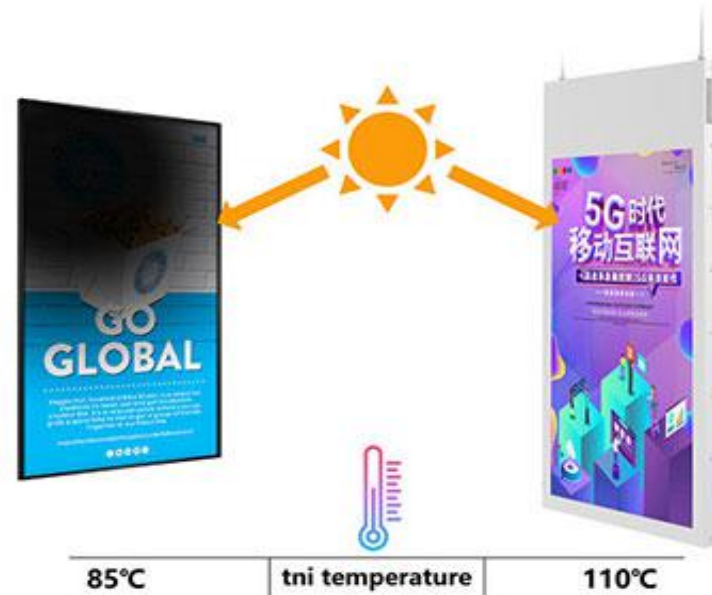
### OUTSTANDING VISIBILITY

#### Bright & Brilliant

The HD series possess powerful brightness of max. 5,000nits, messages remain bright and clear even in direct sunlight in a storefront, you get an uncompromised picture that can capture customers' attention and entice them into your store.

### Industrial & High Temperature 110°C

Combined with a high Tni110°C industrial grade OC, the HD series can operate 24/7.



## Feature



### OUTSTANDING VISIBILITY

## Long Lasting Brightness

By adding more LED units, HD series operate brighter at a lower temperature, thereby lasting longer than conventional products.

### OUTSTANDING VISIBILITY

## Visible with Polarized Sunglasses

Quarter-Wave Plate enables clear visibility even when the viewer is wearing polarized sunglasses.



## Feature



## HIGH PERFORMANCE & RELIABILITY

### Automatic Brightness Control

The screen brightness is automatically adjusted depending on the ambient brightness. Brightness is increased during the day for better visibility, and decreased at night for efficient power management and protect human eyes.

## OUTSTANDING VISIBILITY

### Wide Viewing Angle

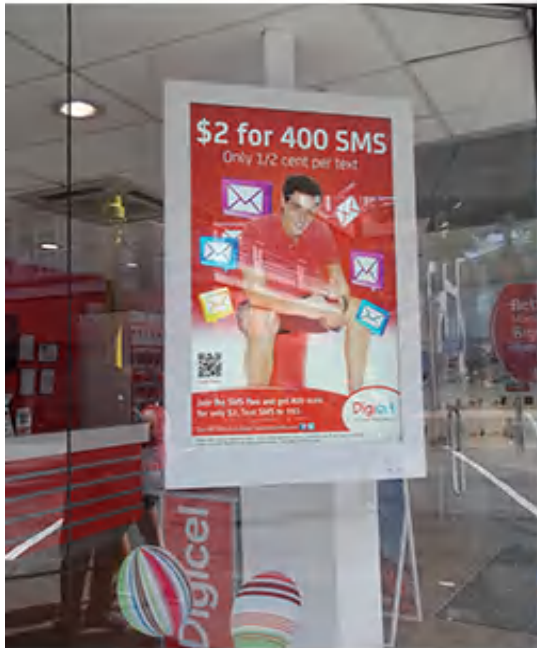
IPS technology provides better control of the liquid crystals, which in turn allows the screen to be viewed at virtually any angle.







GALLERY

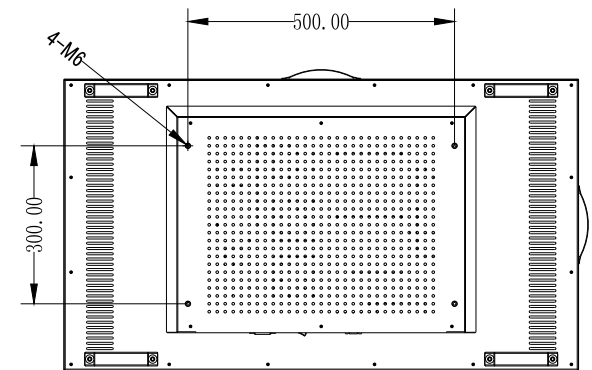
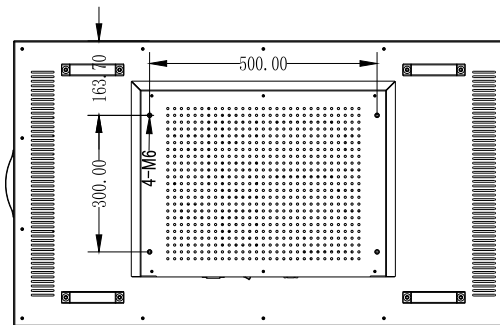
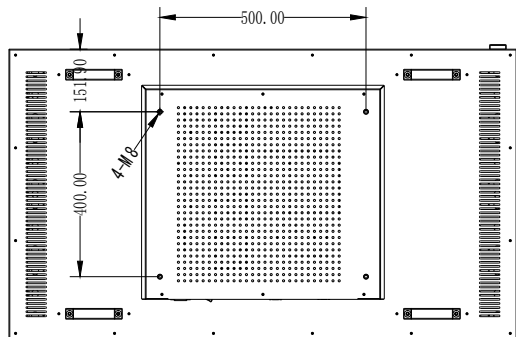
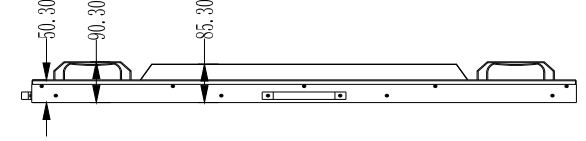
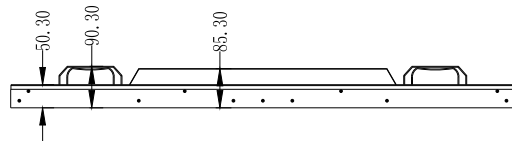
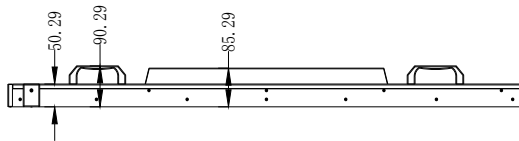
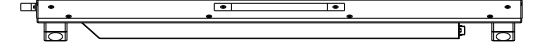
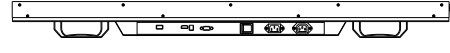
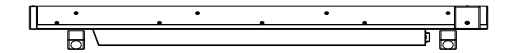
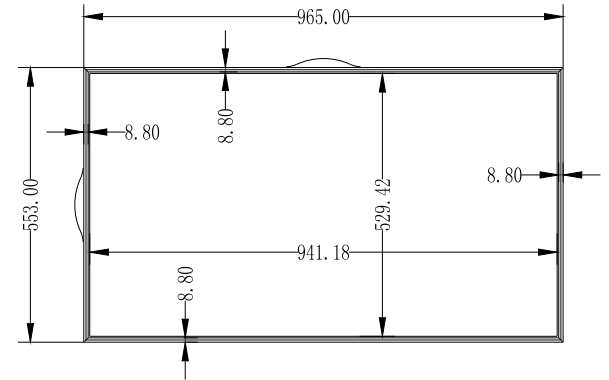
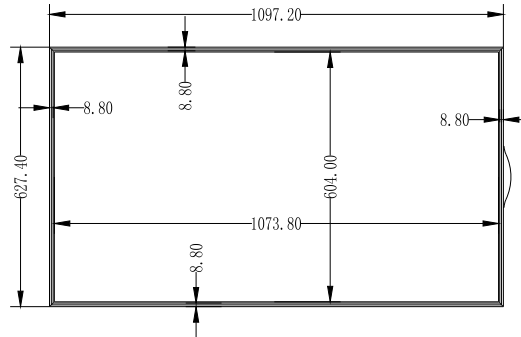
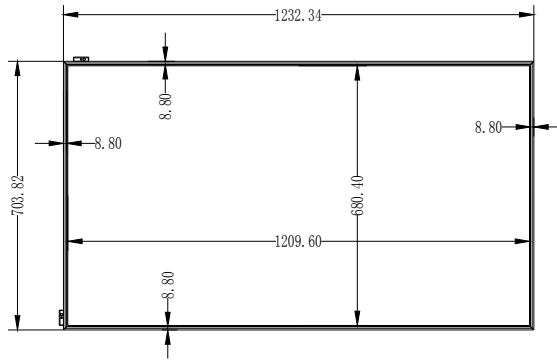


## Dimensions

55" class (54.64" diagonal)

49" class (48.5" diagonal)

43" class (42.5" diagonal)





## Connectivity

---

- ① DC 12V IN
- ② HDMI IN
- ③ VGA IN
- ④ PC-AUDIO IN
- ⑤ USB
- ⑥ RS232



HDMI IN

VGA IN

USB(Service)

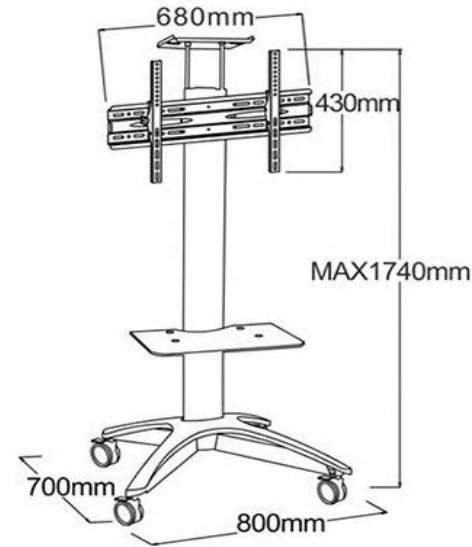
RS232 Input

# Specifications

		FSHD550	FSHD490	FSHD430
PANEL	Screen Size	55" class (54.64" diagonal)	49" class (48.5" diagonal)	43" class (42.5" diagonal)
	Panel Technology	IPS, M+ (WRGB)	IPS, M+ (WRGB)	IPS, (RGB)
	Aspect Ratio	16 : 9	16 : 9	16 : 9
	Native Resolution	1,920 x 1,080 (FHD)	1,920 x 1,080 (FHD)	1,920 x 1,080 (FHD)
	Brightness	2,500 cd/m <sup>2</sup> (Standard.), 1,500 ~ 5,000 cd/m <sup>2</sup> (Customized)	2,500 cd/m <sup>2</sup> (Standard.), 1,500 ~ 5,000 cd/m <sup>2</sup> (Customized)	2,500 cd/m <sup>2</sup> (Standard.), 1,500 ~ 5,000 cd/m <sup>2</sup> (Customized)
	Contrast Ratio	1,000:1	1,300:1	1,100:1
	Viewing Angle (H x V)	178 x 178	178 x 178	178 x 178
	Surface Treatment	Hard Coating 2H, Reflection 1.5%, QWP	Hard Coating 2H, Reflection 2.0%, QWP	Hard Coating 3H, AGLR (Haze 1%)
	Lifetime	50,000 Hrs	50,000 Hrs	50,000 Hrs
	Operation Hours	24 Hrs	24 Hrs	24 Hrs
Orientation	Landscape & Portrait	Landscape & Portrait	Landscape & Portrait	
CONNECTIVITY	Input	HDMI, USB, Audio, VGA, DC 12V	HDMI, USB, Audio, VGA, DC 12V	HDMI, USB, Audio, VGA, DC 12V
	Output	/	/	/
	External Control	RS232	RS232	RS232
PHYSICAL SPECIFICATION	Bezel Color	Black	Black	Black
	Bezel Width	8.8 mm (T/B/L/R)	8.8 mm (T/B/L/R)	8.8 mm (T/B/L/R)
	Monitor Dimension (W x H x D)	1,232.3 x 703.8 x 85.3 mm	1,093.2 x 623.5 x 85.3 mm	965.0 x 553.0 x 85.3 mm
	Weight (Monitor Only)	31.0 kg	24.0 kg	22.0 kg
	Carton Dimensions (W x H x D)	40.0 kg	31.0 kg	28.0 kg
	Packed Weight	1420*260*880mm	1250*230*780mm	1120*230*710mm
	VESA™ Standard Mount Interface	400 x 500 mm	300 x 500 mm	400 x 300 mm
SPECIAL FEATURES	Temperature Sensor, Auto Brightness Sensor, Energy Saving, Smart Energy Saving, Source Selection, Brightness/Contrast/Backlight Select			
ENVIRONMENTAL CONDITIONS	Operation Temperature	0°C to 50°C	0°C to 50°C	0°C to 50°C
	Operation Humidity	10% to 80%	10% to 80%	10% to 80%
POWER	Power Type	Built-In Power	Built-In Power	Built-In Power
	Power Supply	AC 100-240 V, 50/60 Hz	AC 100-240 V, 50/60 Hz	AC 100-240 V, 50/60 Hz
	Power Typ. / Max.	240 W / 250 W	230 W / 240 W	210 W / 220 W
	Consumption Smart Energy Saving	75 W	72 W	66 W
STANDARD (CERTIFICATION)	Safety	/	/	/
	EMC	CE	CE	CE
	ErP / Energy Star	No / No	No / No	No / No
SOFTWARE COMPATIBILITY	Content Management Software	/	/	/
	Control and Monitoring Software	/	/	/
ACCESSORIES	Basic	Remote Controller (No Batteries Included), Power Cord, IR Receiver (w/ Ambient Light Sensor)		
	Optional	Mounting Bracket	Mounting Bracket	Mounting Bracket
WARRANTY	Basic	1.5 Year Parts	1.5 Year Parts	1.5 Year Parts

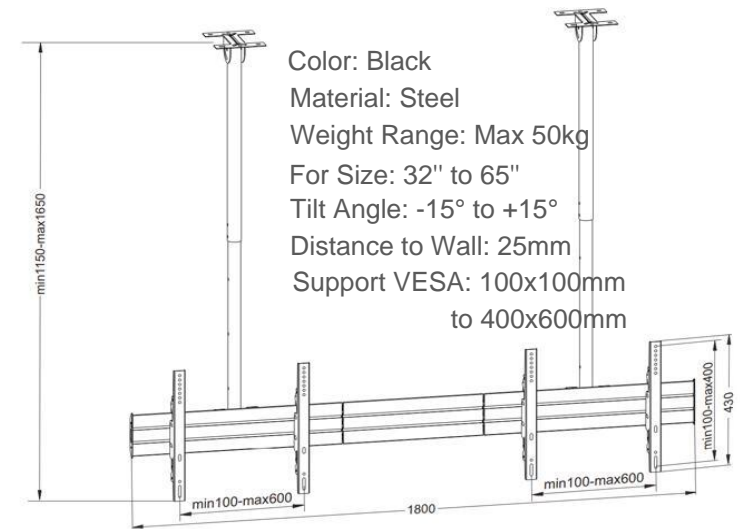
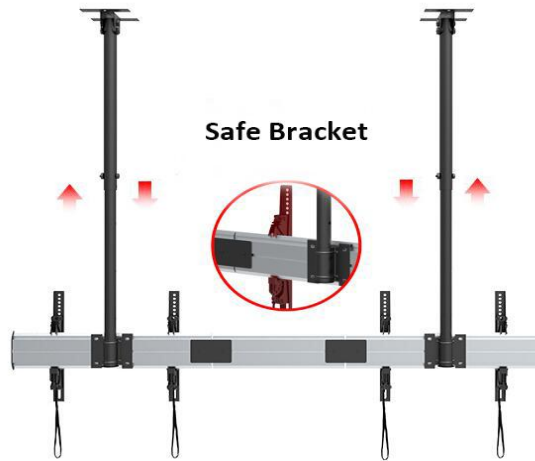
# Mounting Bracket (Optional)

## 1. Floorstanding - single landscape or portrait



Color: Silver  
Material: Aluminum  
Weight Range: Max 50kg  
For Size: 32" to 65"  
Height Range: 0-1000mm  
Support VESA: 100x100mm  
to 400x600mm

## 2. Roofhanging - double landscape



Color: Black  
Material: Steel  
Weight Range: Max 50kg  
For Size: 32" to 65"  
Tilt Angle: -15° to +15°  
Distance to Wall: 25mm  
Support VESA: 100x100mm  
to 400x600mm



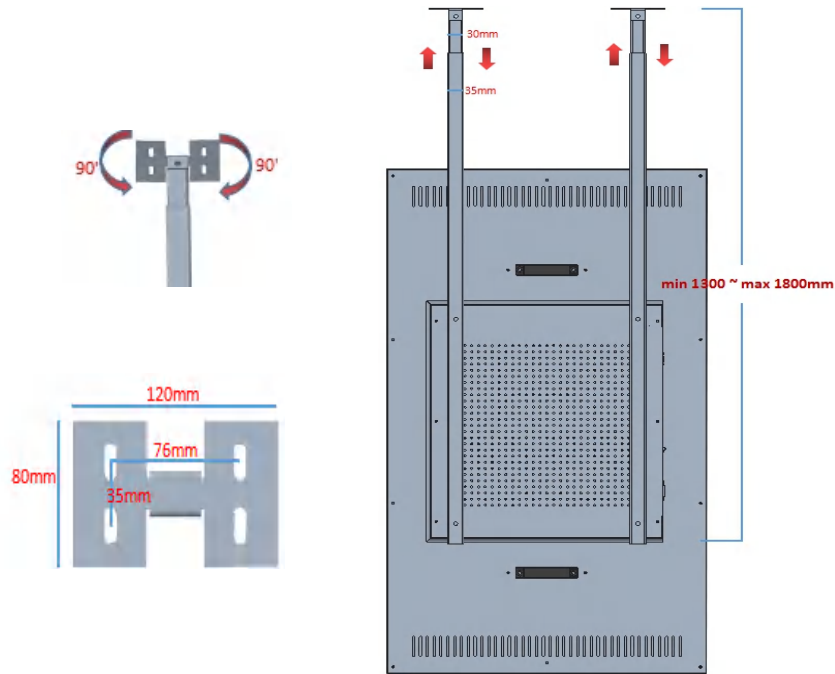
# Mounting Bracket (Optional)

## 3. Roofhanging - single landscape



Color: Black  
Material: Steel  
Weight Range: Max 50kg  
For Size: 32" to 65"  
Height Range: 980-1580mm  
Support VESA: 100x100mm  
to 400x600mm

## 4. Roofhanging - single portrait



Color: Black  
Material: Steel  
Weight Range: Max 50kg  
For Size: 32" to 65"  
Height Range: 1300-1800mm  
Support VESA: 100x100mm  
to 400x600mm